

# LINETRAXX<sup>®</sup> SmartDetect RCMS410

Four-channel residual current monitor sensitive to AC, pulsed DC, and smooth DC





### Product description

The LINETRAXX® SmartDetect RCMS410 is an AC, pulsed DC, and smooth DC sensitive residual-current monitor for earthed power-supply systems. It measures residual currents between 2 mA and 70 A with direct voltage as well as alternating voltage in a frequency range from 15 Hz to 20 kHz.

Corresponding measuring-current transformers (e.g. CTUB100 and CTAC series) must be connected to the residual-current inputs.

Individual response values for prewarning and main alarm can be set for each channel, and the response value can be chosen from the RMS value of AC and DC or the individual AC and DC components.

The alarm is indicated by alarm LEDs. Alarm signalling is also possible via the digital outputs Q and M+ and simultaneously via the Modbus RTU interface.

Alarms can also be triggered via message assignment for device errors and transformer connection monitoring errors.

Despite its small size and compact design, the RCMS410 is a top performer. It can be operated with a DC 24 V power supply.

Digital inputs and outputs I, Q and M+ can be used in a variety of ways. Q can be used either as a digital input or digital output.

The test and/or reset functions can be triggered by external buttons or remote control via the digital inputs I and Q. This is also possible directly on the device using the T/R button.

Outputs Q and M+ can be used for prewarning or main alarm signalling. Alternatively, the residual current can be output as an analogue signal via M+.

The RCMS410 has a Modbus RTU interface for communication with higher-level systems. The parameters required for electrical systems can be set either via Modbus RTU or via the NFC interface using the Bender Connect App (which is also possible even when the device is powered off). It is also possible to preset the operating parameter ex factory.

Various functions can be added to the devices using function modules. These include harmonic analysis (FFT) up to the 400th harmonic (function module A), AC/DC sensitive measurement and evaluation of values (function module B) and the connection of external type A current transformers (function module C).

## Device features

---

### Special features

- 4 measuring channels for AC, pulsed DC, or AC/DC sensitive measuring
- Configurable frequency response
- Space-saving thanks to small size and compact design (1 DU)
- Functionality can be expanded with unlockable software modules
- Simple configuration with Bender Connect App via NFC interface
- Customer-specific factory settings possible

### Residual current measurement

- Residual current measurement device in accordance with DIN EN 62020-1 (IEC 62020-1)
- 4 channels for residual current measurement
- Every channel can alternatively also be configured as digital input (main alarm)
- Either AC, pulsed DC, or AC/DC sensitive measuring for every channel
- Type A, type F, type B and type B+ characteristics can be set in accordance with IEC 60755 (or VDE 0664-400)
- Measurement of AC/DC (r.m.s. value) and AC and DC components
- Frequency range: DC, 15 Hz...20 kHz
- Frequency analysis up to the 400<sup>th</sup> harmonic, calculation of the THD value

### Response value monitoring

- Main alarm with adjustable residual response value  $I_{\Delta n}$
- Prewarning: 10...100 % of the residual response value  $I_{\Delta n}$
- Separate evaluation of AC/DC (RMS) or AC and DC components
- Response value
  - Type A: 6 mA...30 A
  - Type F: 6 mA...30 A (15 Hz...20 kHz)
  - Type B/Type B+: 10 mA...10 A (only with function module B "AC/DC sensitive measuring and evaluation of values")
- Configurable frequency response
- Measurement modes for each channel: overcurrent (standard), undercurrent, or window mode (out-of-range-values)
- Adjustable time delays
- Fault-memory behaviour per channel selectable
- Preset function
- Reload function
- Starts in alarm status and start-up delay configurable
- Continuous CT-connection monitoring

### Display and operation

- NFC interface for parameter setting with the Bender Connect App
- LED bargraph with
  - Device status LED
  - Percentage measurement indication
  - Alarm LEDs for prewarning and main alarm for each channel
- Integrated combined test/reset button, connection for external buttons
- Sealable transparent cover (optional)

### Interfaces

- Digital input (I)
- Digital input/output (Q)
- Multifunctional digital/analogue output (M+)
- Modbus RTU (RS-485)
- NFC interface for device parameter setting via Bender Connect App with the device energised or de-energised

### Supply voltage

- Supply voltage DC 24 V

### NFC interface



The NFC interface can be used to transmit a previously configured device parameter setting directly to the device.



**i** This function is available only via the Bender Connect App. You can find this app in the App-stores for *iOS* and *Android*.



In the Bender Connect app the device first needs to be made known. Then the device-specific setting options are shown so that they can be configured. When the data is transferred, feedback is given whether the parameter configuration has been successful.

Parameter settings can be transmitted to the device via the Bender Connect app by holding the mobile phone close to the device.

To a **de-energised** device, a parameter setting can be transferred via the Bender Connect app. This setting is then activated automatically when the device is connected to the current supply.

When a device is **plugged in**, too, parameters can be configured via the Bender Connect App. To this end, the NFC interface first needs to be activated in the device.

The NFC interface is activated via the T/R button at the front of the device or via the Modbus interface.

The NFC antenna is located at the front on the righthand side of the RCMS410.

### Function modules

To expand its application range, optionally function modules can be enabled for the RCMS410. These function modules can be ordered and activated both when first ordering the device and also later on.

#### Function module A: Harmonic analysis (FFT)

Function module A permits analysing harmonics.

**i** With ordering number B84604042 the harmonic analysis is already enabled as a default.

#### Function module B: AC/DC sensitive measuring and evaluation of values

All RCMS410 devices evaluate measuring-current transformers of the types "A" and "F". With function module B also measuring-current transformers of the types "B" and "B+" can be used.

**i** With ordering numbers B84604041 and B84604042 the AC/DC-sensitive measuring and evaluation of values is already enabled as a default.



#### ADVICE

If the function module B is activated at a later date, the settings for each channel under *Settings > Measuring points > Channel* must be checked and adjusted.

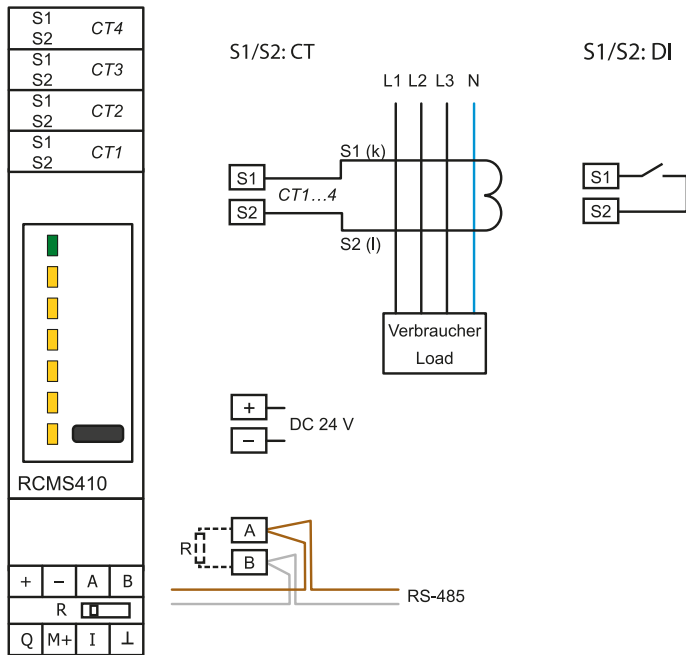
#### Function module C: Connection of Type A external current transformers

Function module C permits the use of measuring-current transformers by manufacturers other than Bender. When an external current transformer is used, a number of turns must be selected in the corresponding Modbus register (33104...33107).

**i** With ordering number B84604042 the connection of external current transformers is already enabled as a default.

#### Function module D: History memory (in preparation)

Wiring diagram



Legend for wiring diagram

- S1/S2: CT                      Measuring-current-transformer connection
- S1/S2: DI                      CT1...4 as digital input
- +, -                              Supply voltage connection
- A, B                              RS-485

**i** RCMS410 and all connected CTUB102-CTBCxx devices must be supplied from the same power supply. Ensure that the 24-V-DC supply is connected correctly. Otherwise the RCMS410 can be destroyed!  
**For UL applications:** Use 60/75 °C copper conductors only!

Cable lengths to the measuring current transformer: See technical data.

### Connections overview

Top	Terminal	Description
	S1, S2 (CT1)	Measuring-current transformer CT1
	S1, S2 (CT2)	Measuring-current transformer CT2
	S1, S2 (CT3)	Measuring-current transformer CT3
	S1, S2 (CT4)	Measuring-current transformer CT4

Bottom	Terminal	Description
	+, -	Supply voltage DC
	A, B	RS-485 interface: Modbus RTU
	ON (R)	Termination of RS-485 interface
	Q	Digital input/output
	M+	Multifunctional output
	I	Digital input
	⊥	GND

The cables are connected to the device via plug-in terminals. The maximum permissible conductor cross section is 1.5 mm<sup>2</sup>.

### Technical data

()\* = Factory setting

#### Insulation coordination (IEC 60664-1/IEC 60664-3)

Rated voltage	50 V
Overtoltage category	III
Operating altitude	≤ 2000 m AMSL
Rated impulse voltage	800 V
Rated insulation voltage	50 V
Pollution degree	2

#### Supply voltage (+, -)

Connection	+, -
Supply voltage $U_s$	DC 24 V
Protection class of power supply unit	2 or 3
Permissible tolerance	-30...+25 %
Permissible ripple	5 %
Power consumption	≤ 2 W
Inrush current (< 5 ms)	< 10 A

#### Measuring circuit

Burden (internal)	33 Ω
Frequency range	DC, 15 Hz...20 kHz
Measuring range (peak)	3 mA...100 A
Measuring range rms	2 mA...70 A
Rated residual operating current	
Type A, Type F	30 A
Type B, Type B+	10 A
Response value main alarm $I_{\Delta n}^{1)}$	
Type A, Type F	6 mA...30 A (30 mA)*
Type B, Type B+	10 mA...10 A (30 mA)*
Prewarning	10...100 % x $I_{\Delta n}$ (70 %)*
Operating uncertainty	±10 % (at 0.5...5 x $I_{\Delta n}$ )
Relative response uncertainty	
Type A, Type F	6 mA...20 A: -20...0 %
Type B, Type B+	20...30 A: -50...0 %
Type B, Type B+	-20...0 %
Hysteresis	10...25 % (15 %)*
Fault-memory alarm messages	on/off (on)*
Permissible continuous residual current with	
single-channel use	85 A
dual-channel use	60 A
use of three channels	49 A
use of four channels	42 A

1) The requirements of the respective standards are only met with a response value from 30 mA to 9.9 A.

## Measuring-current transformers

Connection	CT1...4 (S1, S2)
Measuring-current transformer series	
Type A	CTAC, CTAS, W, WR, WS
Type F	CTAC
Type B, Type B+	CTUB-CTBC, CTBS
CT connection monitoring	yes
Rated voltage $U_n$	See manual of the measuring current transformer
Connecting wires	See manual of the measuring current transformer
Cable length	
CT Type B	≤ 10 m
CT Type A (single wire ≥ 0.75 mm <sup>2</sup> )	≤ 10 m
CT Type A (shielded cable ≥ 0.75 mm <sup>2</sup> )	≤ 40 m
For UL applications	60/75 °C copper conductors
External transformers	
Permissible continuous secondary current with	
Single-channel use	140 mA
Dual-channel use	100 mA
Use of three channels	80 mA
Use of four channels	70 mA
Permissible number of windings	100...2000

## Time response

Start-up delay $t$	0...900 s (0 s)*
Response delay $t_{on}$	0...10 s (0 s)*
Delay on release $t_{off}$	0...900 s (1 s)*
Operating time $t_{ae}$	
with 1 x $I_{\Delta n}$	≤ 260 ms
with 5 x $I_{\Delta n}$	40...120 ms
Response time $t_{an}$	$t_{an} = t_{ae} + t_{on}$
Recovery time $t_b$	≤ 500 ms
Response time for CT connection monitoring	≤ 10 s

## Operation

Display	status LED, alarm LEDs, channel LEDs
Button T/R	reset / test / NFC / address setting / protect
Terminating resistor DIP switches	on/off (off)*

## RS-485 interface

Connection	A, B
Protocol	Modbus RTU
Baud rate	Max. 115.2 kbits/s (19.2 kbits/s)*
Parity	even, no, odd (even)*
Stop bits	1/2/auto (auto)*
Cable length (at 9.6 kbits/s)	≤ 1200 m
Recommended lines, shield on one side connected to PE	
CAT6/CAT7	Min. AWG23
min. J-Y(St)Y 2 x 0.6 mm <sup>2</sup>	Twisted pair
Device address	1...247 (100 + last two digits of serial number)*

## NFC interface

Frequency	13.56 MHz
Transmitting power (modulating; in 0 m distance, e.g.) <sup>1</sup>	0 W

- <sup>1</sup>
- EMC influences may lead to communication interruptions at the NFC interface.
  - The device does not transmit any radio waves when used as intended.

## Input I

Connection	$I, \perp$
Max. cable length (recommended)	10 m
External connections	Potential-free contact

## Input/output Q

Connection	$Q, \perp$
Max. cable length (recommended)	10 m
Max. load	20 mA
Low voltage level (output)	0...2 V
High voltage level (output)	10 V... $U_S$
External voltage (passive mode)	DC 0...( $U_S - 1$ V)

## Output M+

Connection	$M+, \perp$
Max. cable length (recommended)	10 m
Max. load	20 mA
Burden	
Current output	≤ 600 Ω
Voltage output	≥ 20 kΩ
Tolerance with respect to final current/voltage value	±20 %
External voltage (passive mode)	DC 0... $U_S$

**Connections**

Terminals	Plug-in screw-type terminals
Terminal series	Phoenix Contact MC 1,5/ -ST-3,5 BK
Connection properties	
Rigid	0.14...1.5 mm <sup>2</sup>
Flexible, without plastic sleeve	0.25...1.5 mm <sup>2</sup>
Flexible, with plastic sleeve	0.25...0.5 mm <sup>2</sup>
Stripping length	7 mm
Tightening torque	0.22...0.25 Nm
Conductor cross section AWG	28...16

**EMC/Environment**

EMC	DIN EN IEC 62020-1
Operating temperature	-40...+70 °C
Transport	-40...+85 °C
Long-time storage	-40...+70 °C

**Classification of climatic conditions acc. to IEC 60721**

Stationary use (IEC 60721-3-3)	3K22
Transport (IEC 60721-3-2)	2K11
Long-term storage (IEC 60721-3-1)	1K22

**Classification of mechanical conditions acc. to IEC 60721**

Stationary use (IEC 60721-3-3)	3M11
Transport (IEC 60721-3-2)	2M4
Long-term storage (IEC 60721-3-1)	1M12

**Other**

Operating mode	Continuous operation
Mounting	Vertical
Degree of protection (DIN EN 60529)	
terminals	IP20
internal components	IP30
Enclosure material	Polycarbonate
DIN rail mounting acc. to	IEC 60715
Flammability class	UL94 V-0
Weight	≤ 55 g

**Approvals**

**Standards & certifications**

The RCMS410 device has been developed in accordance with the following standards:

- DIN EN IEC 62020-1
- UL508
- UL1053



**Licences**

For a list of the open-source software used see our [Homepage](#).

**Declaration regarding the radio system**

*EU declaration of conformity*

Bender GmbH & Co. KG hereby declares that the device covered by the Radio Equipment Directive complies with Directive 2014/53/EU. The full text of the EU Declaration of Conformity is available at the following internet address:

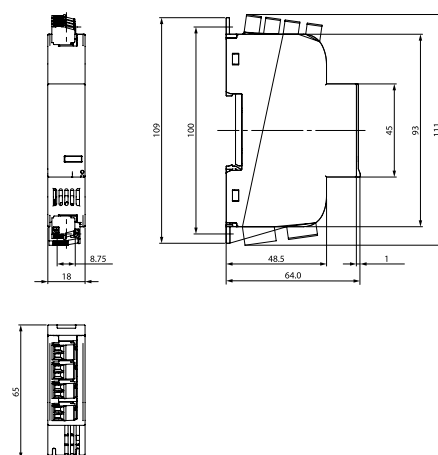
[EU declaration of conformity RCMS410](#)

Hereby, Bender GmbH & Co. KG declares that this radio equipment complies with Radio Equipment Regulations 2017 (S.I. 2017/1206). The full text of the UK declaration of conformity is available at the following internet address:

[UKCA-Declaration of Conformity RCMS410](#)

**Dimension diagrams**

Dimensions in mm



**Ordering information**

Type	Supply voltage $U_s$	Measuring current transformers that can be used		Configurable at the factory	Enabled function modules *	Art. No.
		Type A Type F	Type B Type B+			
RCMS410-24	DC 24 V	X	(X) with function module B	In preparation	In preparation: Customised ex factory (A, B, C can be bought later)	B84604040
		X	X	-	B (A and C can be bought later)	B84604041
		X	X	-	A, B, C	B84604042

\* Function modules

A: Harmonic analysis (FFT)

B: AC/DC sensitive measuring and evaluation of values

C: Connection of type A external current transformers

Accessories	Art. No.
Sealable transparent cover	B80609199



**Bender GmbH & Co. KG**

Londorfer Straße 65  
35305 Grünberg  
Germany

Tel.: +49 6401 807-0  
info@bender.de  
www.bender.de



© Bender GmbH & Co. KG, Germany  
Subject to change!  
The specified standards take into account the  
edition valid until 02.2026 unless otherwise  
indicated.